

RENTAL  
EQUIPMENT

CATERING &  
REFRIGERATION



**FHA 23-26**  
FOOD & BEVERAGE SINGAPORE EXPO  
APRIL 2024



# LOWE

WORLDWIDE RENTAL SPECIALISTS



Asia

Worldwide  
Rental Specialists In  
Refrigeration,  
Catering Equipment &  
Temporary Kitchens












## LOWE RENTAL:

**Lowe** is a global, innovative, ambitious and award-winning refrigeration and catering rental company. Established in 1977, **Lowe** has grown to be the largest globally recognised rental company for the retail, exhibitions and events markets.

Listen, empower and accomplish are the company's core values, interwoven throughout the business and its interactions with clients.

**KEY: UNIT SUITABLE FOR**

						
Fish and Seafood	Fresh Meat	Dairy	Deli and Cooked Meats	Cakes	Drinks	Freezer

**A1: 1.3m Curved Glass Display Counter**

- Fan assisted
- Internal light
- Refrigerated storage

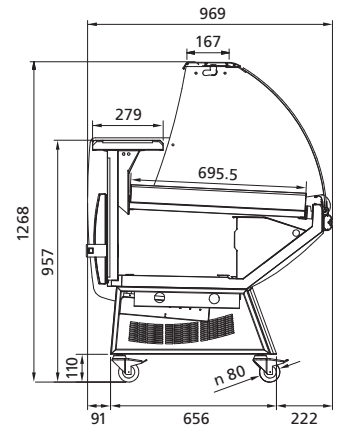
**A2: 1.9m Curved Glass Display Counter**

- Fan assisted
- Internal light
- Refrigerated storage

(Both suitable for crushed ice display on request)  
(Fridge must be fitted with special ice tray)

Low Glass available on request

Grass mat or ice tray can be provided on request



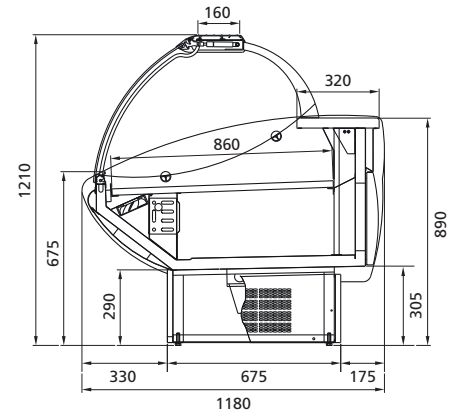
Model	W x H x D (mm)	Display (m <sup>2</sup> )	Temp (°C)	Storage (Litres)	Power 24hr	Watts (W)	Amps
A1	1282 x 1268 x 965	0.9	0 ~ +5	132	200/220V 50HZ	750	13A
A2	1882 x 1268 x 965	1.3	0 ~ +5	198	200/220V 50HZ	1000	13A

**B1A: 1.04m Curved Glass Display Counter**

- Fan assisted
- Internal light
- Refrigerated storage
- Hydraulic lift up front glass
- Ice tray on request

**B1P: 1.3m Curved Glass Display Counter**

- Fan assisted
- Internal light
- Refrigerated storage
- Hydraulic lift up front glass
- Ice tray on request



Grass mat or ice tray can be provided on request



Model	W x H x D (mm)	Display (m <sup>2</sup> )	Temp (°C)	Storage (Litres)	Power 24hr	Watts (W)	Amps
B1A	1040 x 1210 x 1180	0.80	0 ~ +5	158	220V 50HZ	750	13A
B1P	1300 x 1210 x 1180	1.1	0 ~ +5	217	220V 50HZ	1000	13A

**C1T: 1m Dairy Case**

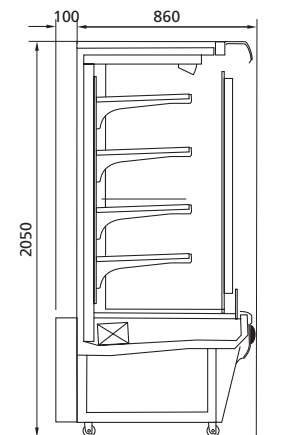
- Multideck
- Fan assisted
- Internal light

**C2T: 1.35m Dairy Case**

- Multideck
- Fan Assisted
- Internal Light

**C1A: Impulse Buy Dairy Case**

- Multideck
- Fan Assisted
- Internal Light



For built in cabinets please check actual ventilation size



Image for reference only

Model	W x H x D (mm)	Display (m <sup>2</sup> )	Temp (°C)	Storage (Litres)	Power 24hr	Watts (W)	Amps
C1T	1080 x 2050 x 860 + 100 vent	1.26	0 ~ +8	396	200/220V 50HZ	1500	13A
C2T	1350 x 2050 x 860 + 100 vent	1.75	0 ~ +8	550	200/220V 50HZ	2000	13A
C1A	600 x 1590 x 500 + 50 vent	0.45	+2 ~ +8	180	200/220V 50HZ	1000	13A

Note: Items shown above are subject to change due to market availability

**C3T: C3T LED Multideck**

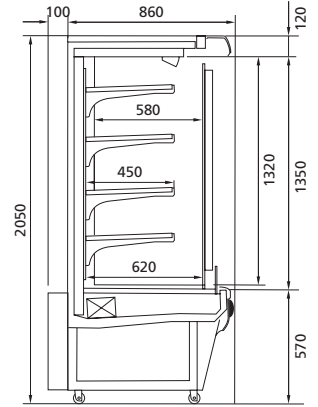
**Display Case**

- LED light
- Multideck
- Fan assisted

For built in cabinets please check actual ventilation size



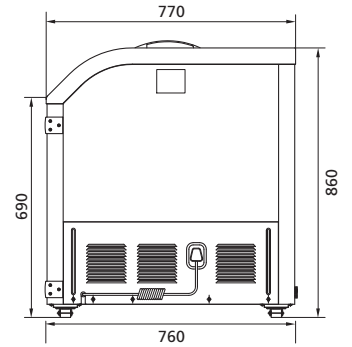
16 Amp Blue C Form



Model	W x H x D (mm)	Display (m <sup>2</sup> )	Temp (°C)	Storage (Litres)	Power 24hr	Watts (W)	Amps
C3T	2020 x 2050 x 860 +100 vent	2.90	0 ~ +8	1619	200/220V 50HZ	2500	16A

**D1C: 1.5m Curved Glass Display Freezer**

- Internal light LED
- Includes baskets x 5



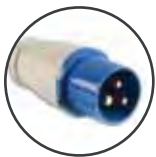
Model	W x H x D (mm)	Display (m <sup>2</sup> )	Temp (°C)	Storage (Litres)	Power 24hr	Watts (W)	Amps
D1C	1480 x 860 x 770	~	-18	500	220V 50HZ	1000	13A

**D3: 1.5m Open Top Display Island**

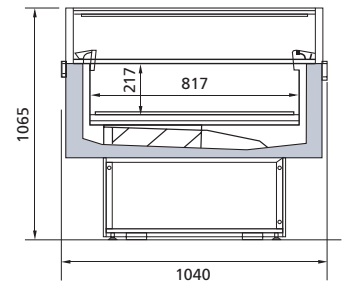
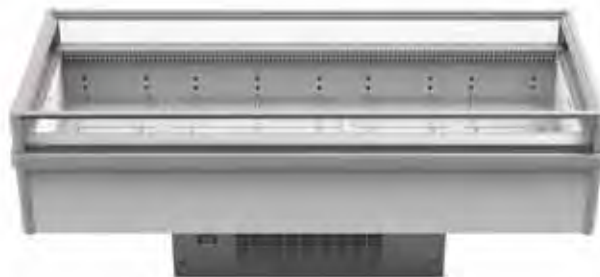
- Integral unit
- Automatic Defrost
- Part glazed sides all round

**D4: 2.0m Open Top Display Island**

- Integral unit
- Automatic Defrost
- Part glazed sides all round



16 Amp Blue C Form

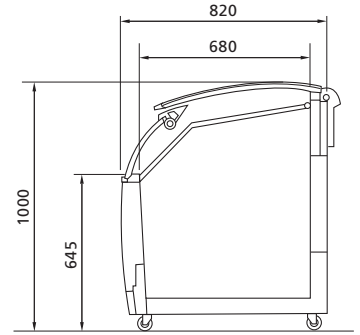
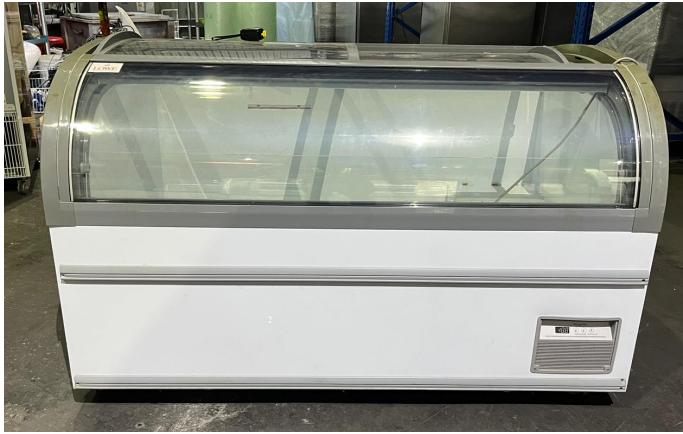


Model	W x H x D (mm)	Display (m <sup>2</sup> )	Temp (°C)	Storage (Litres)	Power 24hr	Watts (W)	Amps
D3	1570 x 1065 x 1040	~	0 ~ +2 / -18 ~ -20	~	220V 50HZ	2500	16A
D4	2070 x 1065 x 1040	~	0 ~ +2 / -18 ~ -20	~	220V 50HZ	2500	16A

Note: Items shown above are subject to change due to market availability

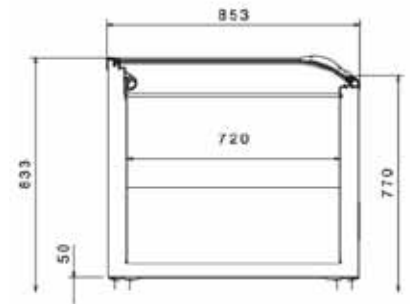
**E1N:** 1.5m Curved Glass Display Freezer  
Glass Lift Up Lid  
- Internal light  
- Lift up/sliding lids

**E2N:** 2.2m Curved Glass Display Freezer  
Glass Lift Up Lid  
- Internal light  
- Lift up lid



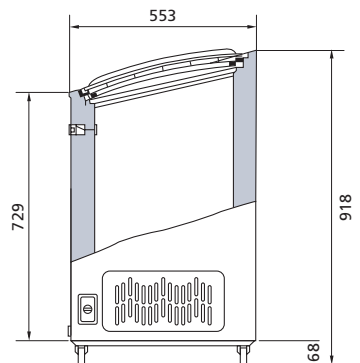
Model	W x H x D (mm)	Display (m <sup>2</sup> )	Temp (°C)	Storage (Litres)	Power 24hr	Watts (W)	Amps
E1N	1505 x 1000 x 900	~	-18 ~ -22	480	200/220V 50HZ	1000	13A
E2N	2205 x 1000 x 900	~	-18 ~ -22	742	200/220V 50HZ	1500	13A

**E2 AHT:** 2.10m LED Curved Glass Display Freezer  
- LED light  
- Sliding lids



Model	W x H x D (mm)	Display (m <sup>2</sup> )	Temp (°C)	Storage (Litres)	Power 24hr	Watts (W)	Amps
E2 AHT	1950 x 912 x 850	~	-18 ~ -22	565	200/220V 50HZ	1000	13A

**E1AA:** Curved Glass Display Freezer  
- Includes baskets  
- Internal light  
- Sliding lids



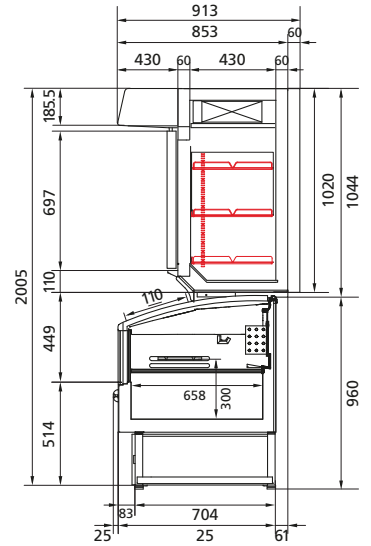
**E1A-151L:** Display Freezer  
- Includes baskets  
- Internal LED light  
- Sliding lids



Model	W x H x D (mm)	Display (m <sup>2</sup> )	Temp (°C)	Storage (Litres)	Power 24hr	Watts (W)	Amps
E1AA	950/1050 x 845/875 x 550/705	~	-18 ~ -22	218	200/220V 50HZ	1000	13A
E1A-151L	584 x 850 x 694 + Canopy	~	-18 ~ -22	151	200/220V 50HZ	1600	13A

Note: Items shown above are subject to change due to market availability

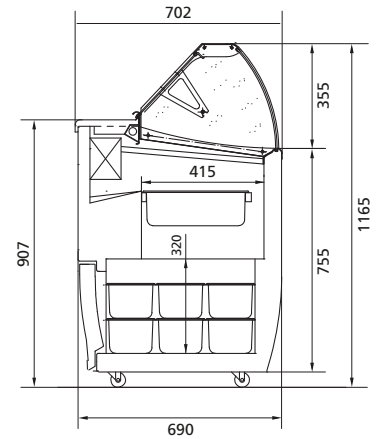
**E4: 1.25m Combi  
Freezer Display**  
– Internal light



Model	W x H x D (mm)	Display (m <sup>2</sup> )	Temp (°C)	Storage (Litres)	Power 24hr	Watts (W)	Amps
E4	1242 x 2005 x 913	~	-18 ~ -20	450/477	200/220V 50HZ	2000	13A

**E5: 7 Scoop Ice Cream  
Display Counter**

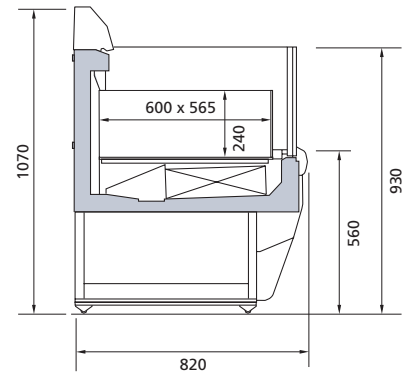
- Frozen Storage at the rear
- Internal light
- Curved glass



Model	W x H x D (mm)	Display (m <sup>2</sup> )	Temp (°C)	Storage (Litres)	Power 24hr	Watts (W)	Amps
E5	1314 x 1165 x 702	7 x GN Pan	-15 ~ -20	12 x GN Pan	200/220V 50HZ	1000	13A

**E6A: 1m 3 Sided Display  
Chiller/Freezer**

- Overhead canopy lighting
- Automatic system for evaporation of condensing water

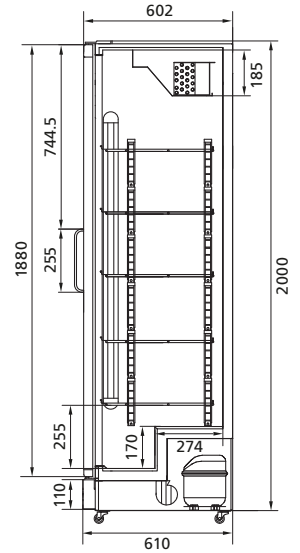


Model	W x H x D (mm)	Display (m <sup>2</sup> )	Temp (°C)	Storage (Litres)	Power 24hr	Watts (W)	Amps
E6A	1100 x 1070 x 820	~	-18 ~ +5	120	200/220V 50HZ	2000	13A

Note: Items shown above are subject to change due to market availability

**G4: 400L Upright Display Chiller**

- Fan assisted
- Adjustable shelving
- Internal Light



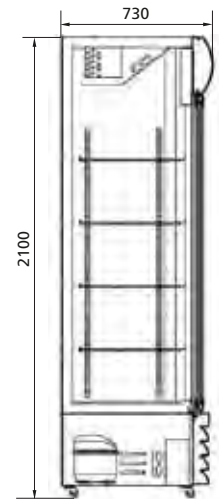
For built in cabinets please check actual ventilation size



Model	W x H x D (mm)	Display (m <sup>2</sup> )	Temp (°C)	Storage (Litres)	Power 24hr	Watts (W)	Amps
G4	610 x 2000 x 640	~	+2 ~ +10	400	200/220V 50HZ	500	13A

**G6: 1000L 2 Door Display Chiller**

- Hinged doors
- Fan assisted
- Adjustable shelving
- Internal Light
- Light canopy



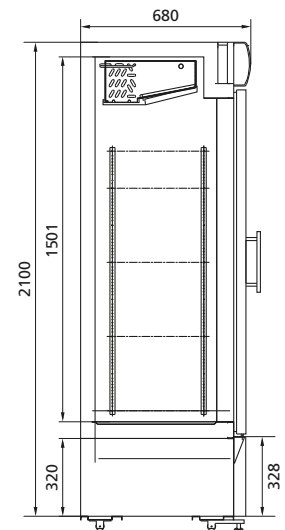
For built in cabinets please check actual ventilation size



Model	W x H x D (mm)	Display (m <sup>2</sup> )	Temp (°C)	Storage (Litres)	Power 24hr	Watts (W)	Amps
G6	1200 x 2100 x 730	~	+2 ~ +10	1000	200/220V 50HZ	1000	13A

**G8: 1426L 3 Door Display Chiller**

- Hinged doors
- Fan assisted
- Adjustable shelving
- Internal Light
- Light canopy



For built in cabinets please check actual ventilation size



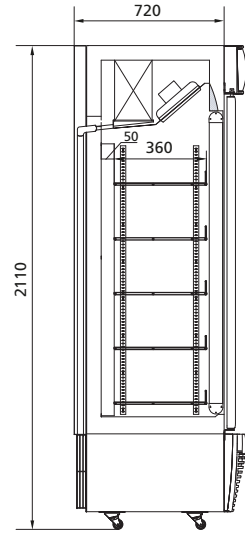
Model	W x H x D (mm)	Display (m <sup>2</sup> )	Temp (°C)	Storage (Litres)	Power 24hr	Watts (W)	Amps
G8	2060 x 2100 x 700	~	+2 ~ +10	1320	200/220V 50HZ	850	13A

Note: Items shown above are subject to change due to market availability



**G1: 359L Upright Display Freezer**

- Internal light
- Fan Assisted
- Adjustable Shelf



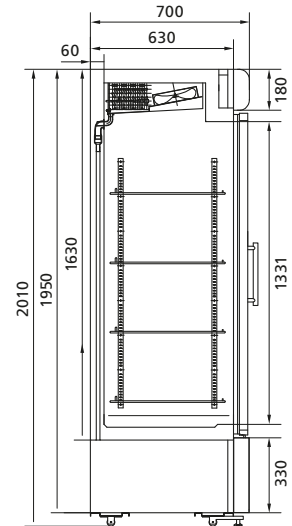
For built in cabinets please check actual ventilation size



Model	W x H x D (mm)	Display (m <sup>2</sup> )	Temp (°C)	Storage (Litres)	Power 24hr	Watts (W)	Amps
G1	620 x 2100 x 720	~	-18 ~ -22	359	200/220V 50HZ	1000	13A

**G7: 920L 2 Door Display Freezer**

- Hinged doors
- Fan assisted
- Adjustable shelving
- Internal Light
- Light canopy



For built in cabinets please check actual ventilation size



Model	W x H x D (mm)	Display (m <sup>2</sup> )	Temp (°C)	Storage (Litres)	Power 24hr	Watts (W)	Amps
G7	1200 x 2100 x 730	~	-18 ~ -20	920	200/220V 50HZ	1500	13A

**G9: 1426L 3 Door Display Freezer**

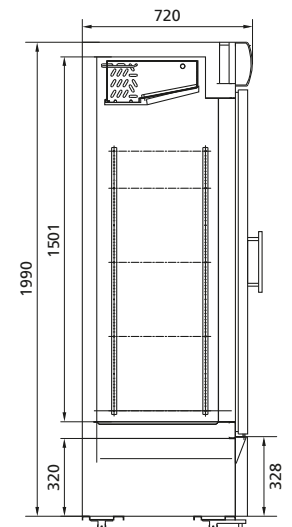
- Hinged doors
- Fan assisted
- Adjustable shelving
- Internal Light
- Light canopy



16 Amp Blue C Form



For built in cabinets please check actual ventilation size

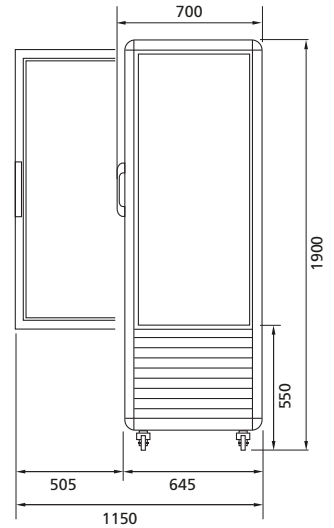


Model	W x H x D (mm)	Display (m <sup>2</sup> )	Temp (°C)	Storage (Litres)	Power 24hr	Watts (W)	Amps
G9	2060 x 2100 x 700	~	-18 ~ -20	1426	200/220V 50HZ	3000	16A

Note: Items shown above are subject to change due to market availability

**K1T: 4 Sided Glass Door Display Freezer**

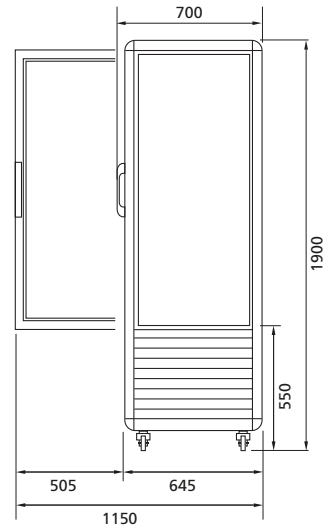
- Fixed shelves
- Fan assisted



Model	W x H x D (mm)	Display (m <sup>2</sup> )	Temp (°C)	Storage (Litres)	Power 24hr	Watts (W)	Amps
K1T	700 x 1900 x 700	~	-18 ~ -5	350	200/220V 50HZ	2500	13A

**K2T: 4 Sided Glass Door Display Chiller**

- Fixed shelves
- Fan assisted
- Internal light



Model	W x H x D (mm)	Display (m <sup>2</sup> )	Temp (°C)	Storage (Litres)	Power 24hr	Watts (W)	Amps
K2T	595 x 1810 x 658	~	0 ~ +10	350	200/220V 50HZ	2500	13A

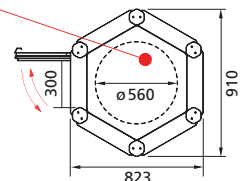
**K3: 6 Sided Glass Door Display Chiller**

- Rotating circular shelves
- Fan assisted
- Internal light



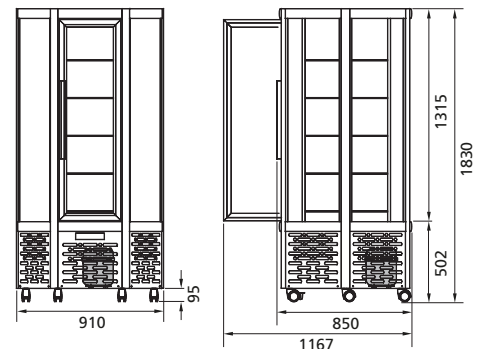
NO-FROST system

- %U.R. 70 (+5 °C)
- %U.R. 40 (-18 °C)



**K4: 6 Sided Glass Door Display Freezer**

- Rotating circular shelves
- Fan assisted
- Internal light

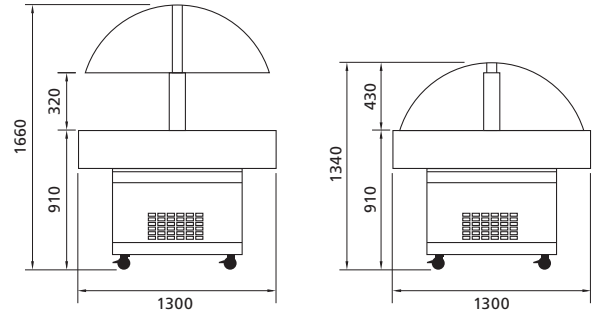


Model	W x H x D (mm)	Display (m <sup>2</sup> )	Temp (°C)	Storage (Litres)	Power 24hr	Watts (W)	Amps
K3	910 x 1830 x 850	~	0 ~ +10	570	200/220V 50HZ	2500	13A
K4	910 x 1830 x 850	~	-18 ~ -5	570	200/220V 50HZ	2500	13A

Note: Items shown above are subject to change due to market availability

**M1: Isola 1.3m**

- Suitable for crushed ice display
- Internal Light
- Fan assisted

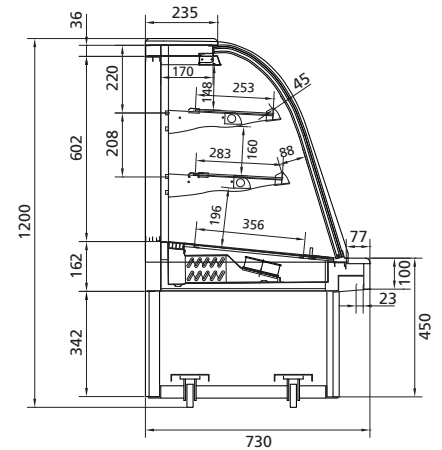


\* Plate Rails not included

Model	W x H x D (mm)	Display (m <sup>2</sup> )	Temp (°C)	Storage (Litres)	Power 24hr	Watts (W)	Amps
M1	1300 x 1340/1660 x 1300	0.90	0 ~ +10	~	200/220V 50HZ	500	13A

**L1A: 1.2m Curved Glass Pâtisserie Case**

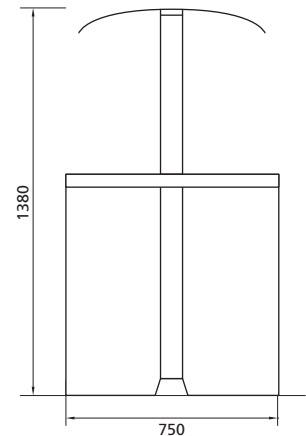
- Fan assisted
- Adjustable glass shelving
- Internal light on each shelf



Model	W x H x D (mm)	Display (m <sup>2</sup> )	Temp (°C)	Storage (Litres)	Power 24hr	Watts (W)	Amps
L1	1200 x 1200 x 840	~	+2 ~ +10	360	200/220V 50HZ	1000	13A

**N1: GN Salad/Buffer Bar**

- Wood finish
- Sneeze guard
- Light canopy

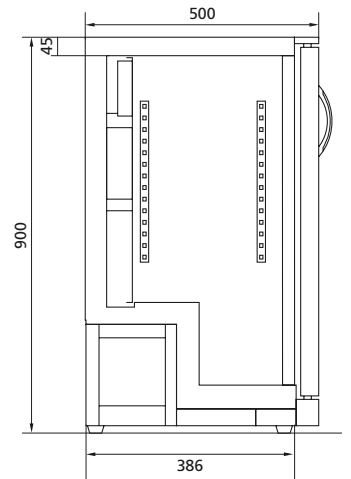


Model	W x H x D (mm)	Display (m <sup>2</sup> )	Temp (°C)	Storage (Litres)	Power 24hr	Watts (W)	Amps
N1	1590 x 1380 x 750	~	+2 ~ +10	4 x GN (1/1) Pan	200/220V 50HZ	500	13A

Note: Items shown above are subject to change due to market availability

**H3A: 1 Door Front Venting Back Bar Chiller**

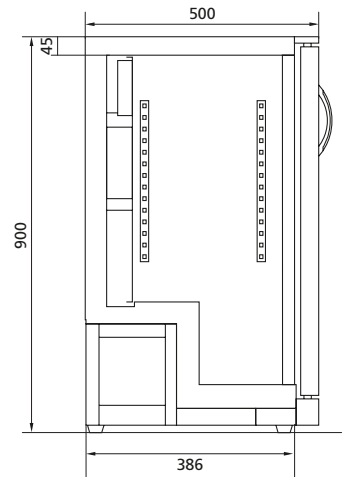
- Fan assisted
- Internal Light
- Adjustable shelving



Model	W x H x D (mm)	Display (m <sup>2</sup> )	Temp (°C)	Storage (Litres)	Power 24hr	Watts (W)	Amps
H3A	500 x 900 x 500	~	+2 ~ +10	99	200/220V 50HZ	500	13A

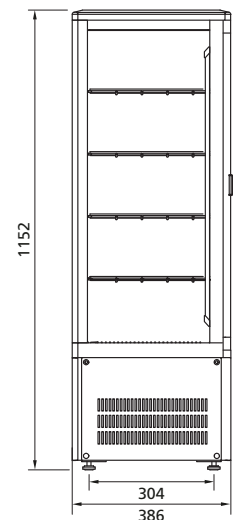
**H3DD: 2 Door Front Venting Back Bar Chiller**

- Fan assisted
- Internal Light
- Adjustable shelving



Model	W x H x D (mm)	Display (m <sup>2</sup> )	Temp (°C)	Storage (Litres)	Power 24hr	Watts (W)	Amps
H3DD	900 x 900 x 500	~	+2 ~ +10	220	200/220V 50HZ	500	13A

**H3D: 100L 4 Sided Counter Top Display**

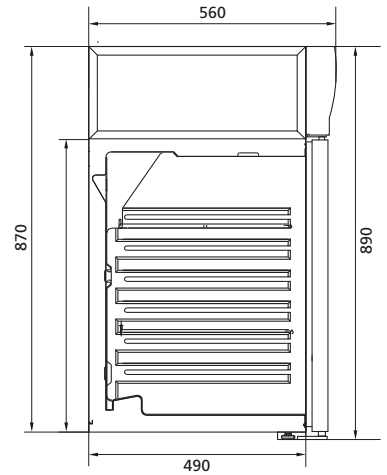


Model	W x H x D (mm)	Display (m <sup>2</sup> )	Temp (°C)	Storage (Litres)	Power 24hr	Watts (W)	Amps
H3D	428 x 1150 x 386	~	+3 ~ +8	98	220V 50HZ	500	13A

Note: Items shown above are subject to change due to market availability

**N3C:** 137 Litre Counter Top Chiller

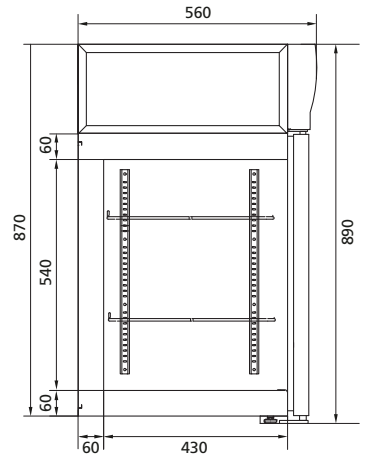
- Fan assisted
- Internal Light
- Adjustable shelving



Model	W x H x D (mm)	Display (m <sup>2</sup> )	Temp (°C)	Storage (Litres)	Power 24hr	Watts (W)	Amps
N3C	620 x 890 x 560	~	+2 ~ +8	137	200/220V 50HZ	1000	13A

**N2:** 113 Litre Counter Top Freezer

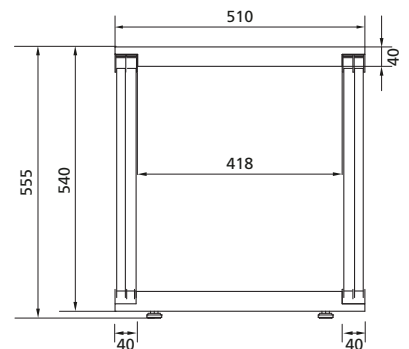
- Static cooling
- Internal Light
- Adjustable shelving



Model	W x H x D (mm)	Display (m <sup>2</sup> )	Temp (°C)	Storage (Litres)	Power 24hr	Watts (W)	Amps
N2	620 x 890 x 555	~	-18 ~ -22	113	200/220V 50HZ	1000	13A

**CTC:** 190 Litre Counter Top Chiller Sliding Door

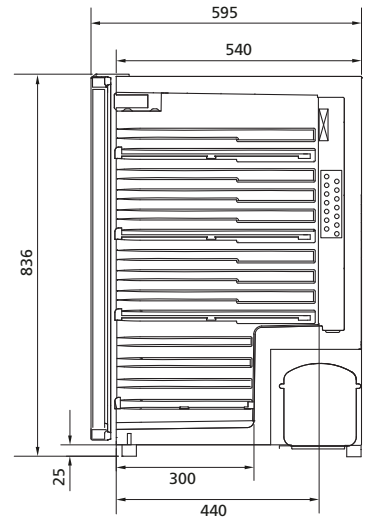
- Fan assisted
- Internal Light
- Adjustable shelving
- Option motor left or right



Model	W x H x D (mm)	Display (m <sup>2</sup> )	Temp (°C)	Storage (Litres)	Power 24hr	Watts (W)	Amps
CTC	1310 x 550 x 510	~	+2 ~ +12	190	200/220V 50HZ	500	13A

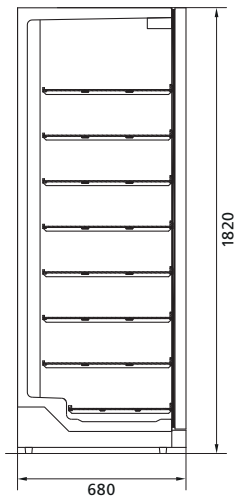
Note: Items shown above are subject to change due to market availability

**H1W: 120 Litre Wine Cabinet**



Model	W x H x D (mm)	Display (m <sup>2</sup> )	Temp (°C)	Capacity	Power 24hr	Watts (W)	Amps
H1W	495 x 850 x 595	~	+5 ~ +18	28 Bottles	200/220V 50HZ	500	13A

**G4W: 400 Litre Wine Cabinet**



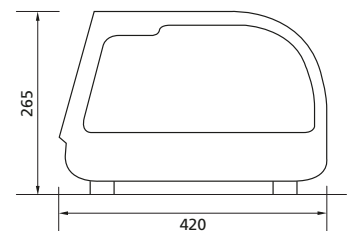
Model	W x H x D (mm)	Display (m <sup>2</sup> )	Temp (°C)	Capacity	Power 24hr	Watts (W)	Amps
G4W	600 x 1820 x 680	~	+5 ~ +18	100 Bottles	200/220V 50HZ	500	13A

**S1: 1.3m Sushi Bar**

- Internal LED light

**S2: 1.8m Sushi Bar**

- Internal LED light



Model	W x H x D (mm)	Display (m <sup>2</sup> )	Temp (°C)	Storage (Litres)	Power 24hr	Watts (W)	Amps
S1	1352 x 265 x 420	~	0 ~ +12	~	200/220V 50HZ	500	13A
S2	1800 x 265 x 420	~	0 ~ +12	~	200/220V 50HZ	500	13A

Note: Items shown above are subject to change due to market availability

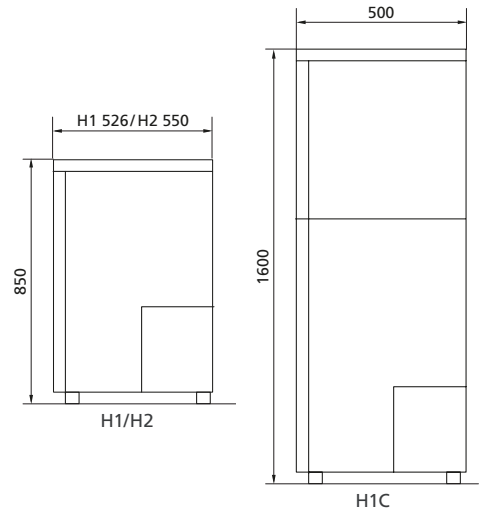
**H1:** 120L Storage Refrigerator

**H1C:** 170L Refrigerator  
(Upper Freezer Box)

**H2:** 120L Storage Freezer



H1C



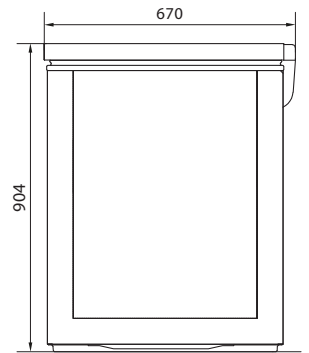
H1C UPPER BOX ONLY  
H2 ONLY

Model	W x H x D (mm)	Display (m <sup>2</sup> )	Temp (°C)	Storage (Litres)	Power 24hr	Watts (W)	Amps
H1	540 x 850 x 540	~	+2 ~ +6	120	200/220V 50HZ	500	13A
H1C	540 x 1600 x 630	~	lower +2 ~ +6/upper -18	170	200/220V 50HZ	500	13A
H2	550 x 850 x 600	~	-18	120	200/220V 50HZ	500	13A

**F1:** 215L Chest Freezer

**F2:** 408L Chest Freezer

**F3:** 518L Chest Freezer



F2

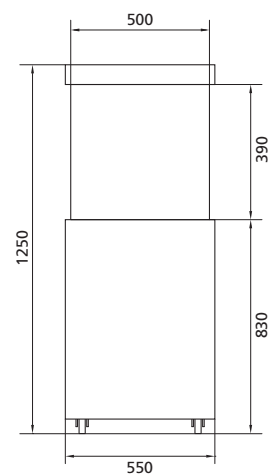


\* Dimensions may vary

Model	W x H x D (mm)	Display (m <sup>2</sup> )	Temp (°C)	Storage (Litres)	Power 24hr	Watts (W)	Amps
F1	980 x 850 x 550	~	-18 ~ -20	215	200/220V 50HZ	500	13A
F2	1356 x 904 x 670	~	-18 ~ -20	408	200/220V 50HZ	500	13A
F3	1683 x 904 x 670	~	-18 ~ -20	518	200/220V 50HZ	500	13A

**FT:** Fish Tank

- Integral unit
- Filtration system
- Internal light
- Adjustable Temperature
- Adjustable PH and salinity levels



Model	W x H x D (mm)	Display (m <sup>2</sup> )	Temp (°C)	Storage (Litres)	Power 24hr	Watts (W)	Amps
FT	1550 x 1250 x 550	~	+5 ~ +22	400	220V 50HZ	1000	13A

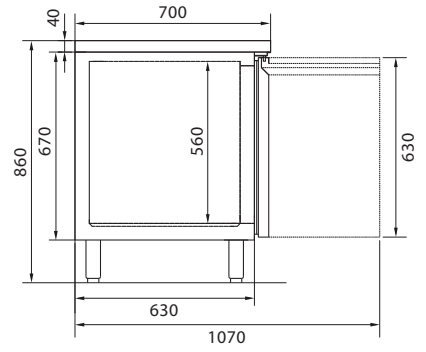
Note: Items shown above are subject to change due to market availability

**GN2DBC:** 314L Bench Chiller

- Fan assisted
- Adjustable shelving

**GN2DBF:** 314L Bench Freezer

- Fan assisted
- Adjustable shelving



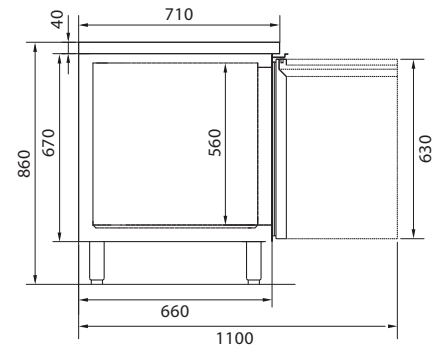
Model	W x H x D (mm)	Display (m <sup>2</sup> )	Temp (°C)	Storage (Litres)	Power 24hr	Watts (W)	Amps
GN2DBC	1360 x 860 x 700	~	-2 ~ +8	314	220/240V 50HZ	1000	13A
GN2DBF	1360 x 860 x 700	~	-10 ~ -20	314	220/240V 50HZ	1000	13A

**GN3DBC:** 540L Bench Chiller

- Fan assisted
- Adjustable shelving

**GN3DBF:** 540L Bench Freezer

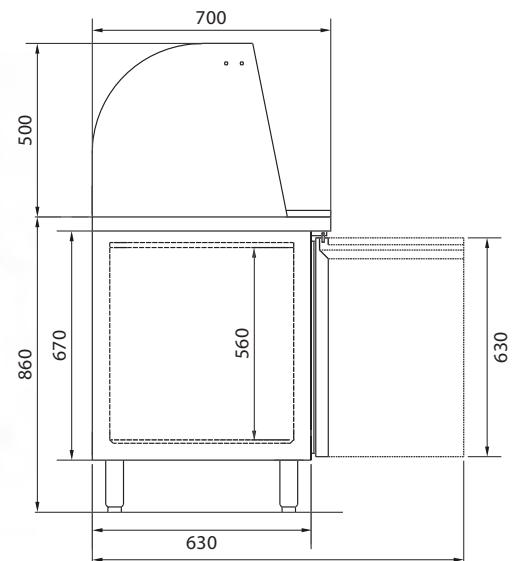
- Fan assisted
- Adjustable shelving



Model	W x H x D (mm)	Display (m <sup>2</sup> )	Temp (°C)	Storage (Litres)	Power 24hr	Watts (W)	Amps
GN3DBC	1910 x 860 x 710	~	-2 ~ +8	540	220/240V 50HZ	1000	13A
GN3DBF	1910 x 860 x 710	~	-18 ~ -22	540	220/240V 50HZ	1000	13A

**GN3DBC BUFFET:** 465L Bench Buffet

- Fan assisted
- Adjustable shelving



Model	W x H x D (mm)	Display (m <sup>2</sup> )	Temp (°C)	Storage (Litres)	Power 24hr	Watts (W)	Amps
GN3DBC BUFFET	1795 x 1365 x 700	~	-2 ~ +8	465	220/240V 50HZ	1000	13A

Note: Items shown above are subject to change due to market availability

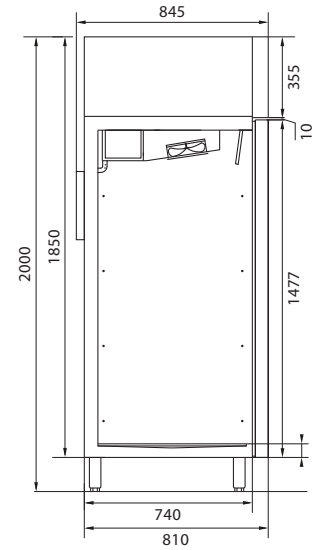


**GN1DUC:** 530L Upright Chiller

- Fan assisted
- Adjustable shelving

**GN1DUF:** 530L Upright Freezer

- Fan assisted
- Adjustable shelving



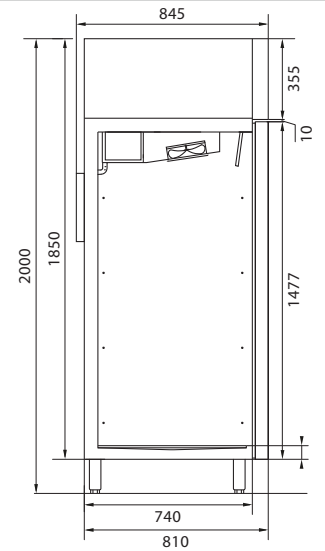
Model	W x H x D (mm)	Display (m <sup>2</sup> )	Temp (°C)	Storage (Litres)	Power 24hr	Watts (W)	Amps
GN1DUC	680 x 2000 x 845	~	-2 ~ +8	537	220/240V 50HZ	1000	13A
GN1DUF	680 x 2000 x 845	~	-18 ~ -22	537	220/240V 50HZ	1000	13A

**GN2DUC:** 1170L Upright Chiller

- Fan assisted
- Adjustable shelving

**GN2DUF:** 1170L Upright Freezer

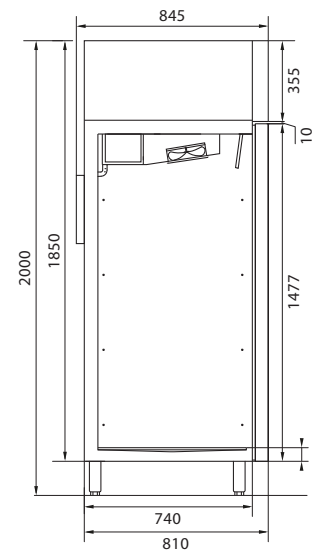
- Fan assisted
- Adjustable shelving



Model	W x H x D (mm)	Display (m <sup>2</sup> )	Temp (°C)	Storage (Litres)	Power 24hr	Watts (W)	Amps
GN2DUC	1340 x 2000 x 845	~	-2 ~ +8	1173	220/240V 50HZ	1000	13A
GN2DUF	1340 x 2000 x 845	~	-18 ~ -22	1173	220/240V 50HZ	1500	13A

**GN1DUC/F DUAL:** Dual Chiller/Freezer

- Fan assisted
- Adjustable shelving



Model	W x H x D (mm)	Display (m <sup>2</sup> )	Temp (°C)	Storage (Litres)	Power 24hr	Watts (W)	Amps
GN1DUC/F DUAL	680 x 2000 x 845	~	upper -2 ~ +8 / lower -18 ~ -22	upper 129 / lower 129	220/240V 50HZ	2000	13A

Note: Items shown above are subject to change due to market availability

# Coldroom (Modular)

Custom Sizes Available

**8x8ft Standard:** Coldroom Chiller  
 - Modular panels for easy installation  
 - Fan assisted  
 - Internal light

**12x8ft Standard:** Coldroom Chiller/ Freezer  
 - Modular panels for easy installation  
 - Fan assisted  
 - Internal light

**16x8ft Standard:** Coldroom Chiller/ Freezer  
 - Modular panels for easy installation  
 - Fan assisted  
 - Internal light

From caterers at the world's largest sporting events to household name retailers, LOWE Cold Rooms provide the perfect refrigerated storage solution even in the most challenging environments.



16 Amp Blue C Form



Width mm	Depth mm	Height mm
2.4 (8ft)	2.4 (8ft)	2.2
2.4 (8ft)	3.6 (12ft)	2.2
2.4 (8ft)	4.8 (16ft)	2.2
2.4 (8ft)	6.0 (20ft)	2.2
2.4 (8ft)	7.8 (24ft)	2.2
2.4 (8ft)	8.4 (28ft)	2.2
2.4 (8ft)	9.6 (32ft)	2.2
2.4 (8ft)	12.0 (40ft)	2.2

Model	W x H x D (mm)	Display (m <sup>2</sup> )	Temp (°C)	Storage (Litres)	Power 24hr	Watts (W)	Amps
8x8ft Standard Chiller	2400 x 2200 x 2400	~	-2 ~ +10	3 cubic metres	220/240V 50HZ	1 x 2000 per motor	16A
8x12ft Standard Chiller	3600 x 2200 x 2400	~	-2 ~ +10	4.5 cubic metres	220/240V 50HZ	2 x 2000 per motor	16A
8x12ft Standard Freezer	3600 x 2200 x 2400	~	-18 ~ -22	4.5 cubic metres	220/240V 50HZ	2 x 2000 per motor	16A
8x16ft Standard Chiller	4800 x 2200 x 2400	~	-2 ~ +10	6 cubic metres	220/240V 50HZ	2 x 2000 per motor	16A

Note: Items shown above are subject to change due to market availability

# Coldroom (Modular)

Custom Sizes Available



Cold room used for beer keg storage



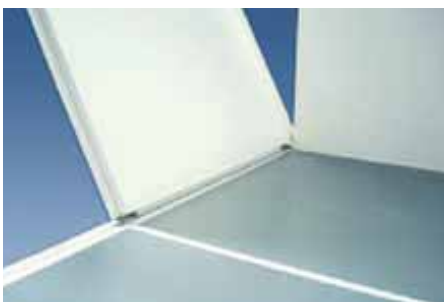
Internal lighting



Internal shelving system



Limited access delivery



Note: Items shown above are subject to change due to market availability

**EH21A: Extractor Hood**

- 304 Stainless Steel
- Removable Baffle Filters
- Internal light



Model	W x H x D (mm)	Display (m <sup>2</sup> )	Temp (°C)	Storage (Litres)	Power 24hr	Watts (W)	Amps
EH21A	2350 x 2300 x 1100	~	~	~	220V	500	13A

**GN-COMBI: GN Combi Oven and Base**

- 10 x GN 1/1 Tray 25mm or 10 x GN 1/1 65mm pan
- Fan assisted cooking function
- Steam function
- Cooking & steam combination function
- Regeneration hot air & steam function
- Timer / Light / Digital setting / Read Out



Oven base: 863W mm x 900H mm x 730D mm

Water connection in/out on request



Model	W x H x D (mm)	Display (m <sup>2</sup> )	Temp (°C)	Storage	Power 24hr	Watts (kW)	Amps
GN-COMBI	910 x 1080 (+base) x 930	~	+50 ~ +250	10 x GN 1/1 Tray	3N-380V	18.9	32A

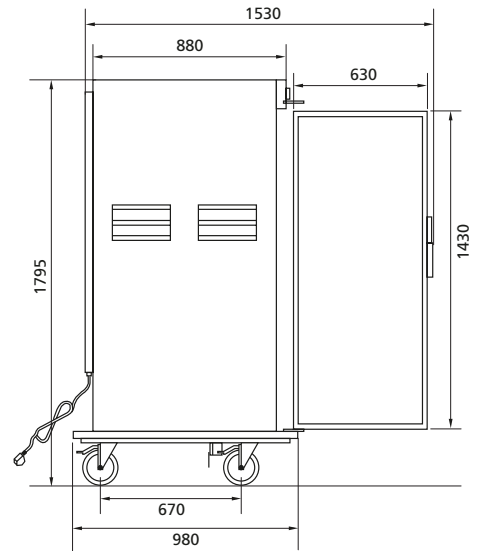
**DEF28: Floor Standing Dual Deep Fat Fryer**



Model	W x H x D (mm)	Display (m <sup>2</sup> )	Temp (°C)	Storage (Litres)	Power 24hr	Watts (kW)	Amps
DEF28	400 x 1100 x 800	~	~	28	3N-380V	18	32A

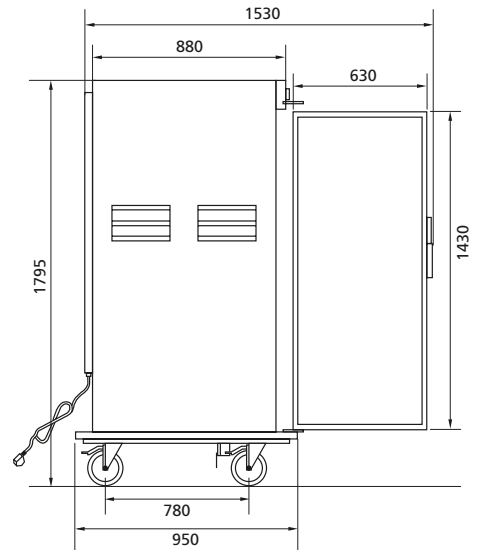
Note: Items shown above are subject to change due to market availability

**GN-1DW: 1 Door Warmer Cart**



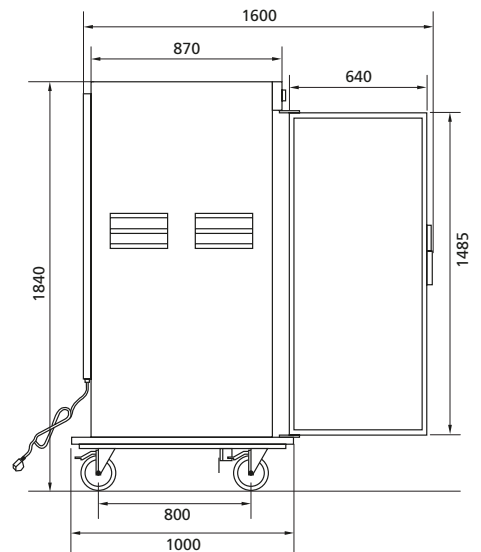
Model	W x H x D (mm)	Display (m <sup>2</sup> )	Temp (°C)	Storage	Power 24hr	Watts (kW)	Amps
GN-1DW	800 x 1795 x 980	~	+50 ~ +110	22 x GN 1/1 Pan (Pan depth upto 100mm)	200/220V 50HZ	2.62	13A

**GN-2DW: 2 Door Warmer Cart**



Model	W x H x D (mm)	Display (m <sup>2</sup> )	Temp (°C)	Storage	Power 24hr	Watts (kW)	Amps
GN-2DW	1480 x 1790 x 870	~	+50 ~ +110	44 x GN 1/1 Pan (Pan depth upto 100mm)	200/220V 50HZ	2.62	13A

**GN-1DC: 1 Door Chiller Cart**

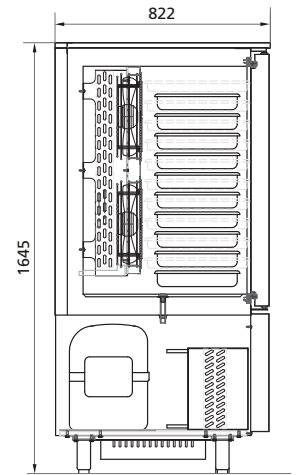


Model	W x H x D (mm)	Display (m <sup>2</sup> )	Temp (°C)	Storage	Power 24hr	Watts (kW)	Amps
GN-1DC	740 x 1840 x 1000	~	+2 ~ +5	22 x GN 1/1 Pan (Pan depth upto 100mm)	200/220V 50HZ	3	13A

Note: Items shown above are subject to change due to market availability

**GNBCF:** GN10 Tray (1/1) Blast Chiller/Freezer

- +70°C/3°C in 90 mins
- +70°C/-18°C in 240 mins



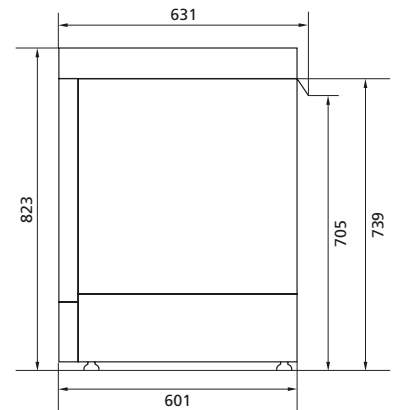
Model	W x H x D (mm)	Display (m <sup>2</sup> )	Temp (°C)	Storage (Litres)	Power 24hr	Watts (W)	Amps
GNBCF	800 x 1645 x 822	~	-30 ~ + 70	10 x GN (1/1)	200/220V 50HZ	1000	13A

**DGW:** Dish/Glass Washer

- 2 minute wash cycle
- 2 plastic trays included
- In-Let: 1 x 13mm diameter
- Drainage: 1 x 40mm diameter
- Available in Hong Kong only



Dishwasher on stand\*



\* Stand 500mm H to be provided by customer

Model	W x H x D (mm)	Display (m <sup>2</sup> )	Temp (°C)	Storage (Litres)	Power 24hr	Watts (kW)	Amps
DGW	600 x 823 x 631	~	~	~	3N-380V	18	30A

**H63:** Under Counter Ice Machine

**H63C:** Free Standing Ice Machine

- Available in Hong Kong only



Model	W x H x D (mm)	Ice Shape	Ice Output	Ice Storage (kg)	Power 24hr	Watts (W)	Amps
H63	610 x 910 x 650	Cubic Ice	90kg/24 hrs	40	220/240V 50HZ	650	13A
H63C	560 x 1710 x 760	Cubic Ice	260kg/24 hrs	140	220/240V 50HZ	1300	13A

Note: Items shown above are subject to change due to market availability

**GN3DBW:** 3 Door Bench Warmer

- 220V/1850W/13A
- 1560W x 850H x 760D mm
- Temperature: +40 ~ +75
- Storage: GN 1/1 Pan



**DPW:** Dual Plate Warmer

- 220V/800W/13A
- 450W x 770H x 910D mm



**H54A:** Rotary Toaster

- 300/350 Slices per hour
- 220V/1.94KW/13A
- 368W x 387H x 418D mm



**H54B:** Toaster

- 220V/2500W/13A
- 370W x 225H x 210D mm



**H44A:** Mixer 10 LTR

- Capacity 10 litres
- 220V/1000W/13A
- 420W x 750H x 380D mm



**H44B:**

- Capacity 5 litres
- 220V/500W/13A
- 280W x 400H x 380D mm



Note: Items shown above are subject to change due to market availability

**H6A: 2 Bowl Juice Dispenser**

- 220V/500W/13A
- 430W x 640H x 430D mm



**H7: Water Dispensers (3 x 20lt. Bottle Water)**

- 220V/650W/13A
- 300W x 900H x 300D mm



**H8A: Barbeque Grill**

- used for vegetables, meat or seafood
- 220V/1500W/13A
- 490W x 300H x 360D mm



**H9A: Electric Hot Plate Flat**

- 220V/3500W/16A
- 550W x 230H x 450D mm

\* Special 16Amp power line required (see bottom left blue power line for reference)



16 Amp Blue C Form



**H9B: Electric Hot Plate Grooved**

- 220V/3500W/16A
- 550W x 230H x 450D mm

\* Special 16Amp power line required (see bottom left blue power line for reference)



16 Amp Blue C Form



**H10A: Commercial Induction Hot Plate**

- 220V/3500W/16A
- 330W x 100H x 420D mm

\* Special 16Amp power line required (see bottom left blue power line for reference)



16 Amp Blue C Form



Note: Items shown above are subject to change due to market availability



**H10D: Wok Induction Hot Plate**

- 220V/3500W/16A
- 342W x 120H x 440D mm

\* Special 16Amp power line required (see bottom left blue power line for reference)



16 Amp Blue C Form



\* Wok not included

**H11A: Premier Coffee Machine**

- Water Tank Capacity 2 Litre
- 200-220V/1500W/13A
- 280W x 320H x 420D mm



\* Coffee beans not supplied

**H11B: 10 Cup Coffee Machine**

- 220V/1000W/13A
- 170W x 240H x 200D mm
- Includes filter



\* Filter coffee not supplied

**H12A: Microwave Oven**

- 220V/750W/13A



**H12B: Commercial Microwave**

- 220V/1800W/13A



**H13: Electric Fry Pan/Hot Pan**

- 220V/1200W/13A
- 400W x 150H x 340D mm



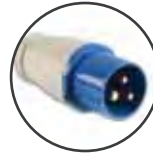
Note: Items shown above are subject to change due to market availability

- H14A: Single Hot Plate**  
 – 220V/1500W/13A  
 – 335W x110H x 265D mm



- H15A: Counter Top Single Electric Deep Fat Fryer**  
 – 220V/3500W/16A  
 – 260W x 340H x 410D mm  
 – 8 litre capacity

\* Special 16Amp power line required (see bottom left blue power line for reference)



16 Amp Blue C Form



- H15B: Counter Top Dual Electric Deep Fat Fryer**  
 – 220V/3.5kW + 3.5kW/16Ax2  
 – 670W x 335H x 440D mm  
 – 2 x 11 litre capacity  
 – 2 power cables

\* Special 16Amp power line required (see bottom left blue power line for reference)



16 Amp Blue C Form x 2



- H16A: 0.66m Table Top Warmer 0–100°C**  
 – 220V/2000W/13A  
 – 660W x 635H x 440D mm

- H16B: 1.2m Table Top Warmer 0–100°C**  
 – 220V/2000W/13A  
 – 1200W x 810H x 480D mm



- H17A: Convection Oven**  
 – 220-240V/2800W/16A  
 – 600W x 560H x 650 D mm  
 – 2 x Cooking Tray (W) 435mm x (D) 320mm  
 – Fan assisted cooking – adjustable tray  
 – Timer / Light / Manual temperature adjustment  
 – Temperature range: +50 / +250 Degrees C

- H17B: Conventional (Toaster) Oven**  
 – 220V/2000W/13A  
 – 660W x 390H x 355D mm  
 – Hot air cooking – adjustable tray  
 – Timer / Manual temperature adjustment  
 – Temperature range: +30 / +220 Degrees C



16 Amp Blue C Form



Note: Items shown above are subject to change due to market availability

**H17C: GN1/1 4 Tray Convection Oven**

- 220V/2800W/16A
- Oven: 820W x 625H x 625D mm Base: 820W x 880H x 650D mm
- 4 x GN 1/1 Tray or 4 x GN 1/1 65mm Pan
- Fan assisted cooking – upper grill function
- Timer / Light / Stand / Digital setting / Read out
- Temperature range: +60 / +250 Degrees C



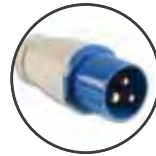
16 Amp Blue C Form



**H18A: Salamander**

- 220V/4000W/16A
- 615W x 480H x 540D mm

\* Special 16Amp power line required (see bottom left blue power line for reference)



16 Amp Blue C Form



**H19: Buffet Trestle Table**

- 1820W x 760H x 610D mm



**H20: Stainless Steel Table**

- H20B: 1200W x 850H x 600D mm
- H20C: 1800W x 850H x 600D mm



**H20C3T: 3 Tier Stainless Steel Table**

- 1800W x 850H x 700D mm



**H20CDD: Stainless steel table with 2 upper shelves**

- 1800W x 850(+660)H x 700D mm
- Upper shelf height 660m



Note: Items shown above are subject to change due to market availability

**H21A: Stainless Steel Single Sink**

- 1 tap
- 700W x 960H x 690D mm
- Internal 1: 560W x 260H x 510D mm
- Water In-Let: 1 x 20mm diameter
- Water Out-Let: 1 x 30mm diameter



\* Grease trap & water in/out connection can be provided on request  
Grease Trap Sump Pump 220V/16A

**H21B: Stainless Steel Dual Sink**

- 1 tap
- H21B: 1200W x 960H x 690D mm
- Internal 2 x 450W x 280H x 450D mm
- Water In-Let: 1 x 20mm diameter
- Water Out-Let: 2 x 30mm diameter



\* Grease trap & water in/out connection can be provided on request  
Grease Trap Sump Pump 220V/16A

**H22A: Counter Top Electric 2-Plate Cooker**

- 220V/Large ring 2600W Small ring 2000W - Total 4600W/32A
- 400W x 475H x 650D mm
- Boiling Hot Plate



32 Amp Blue C Form

**H23: Single Heat Lamp**

- 220V/500W/13A
- 635W x 690H x 460D mm



**H23A: Dual Heat Lamp Carving Station**

- 220V/500W/13A
- 635W x 690H x 460D mm



**H14D: Electric Hot Plate**

- 220V/600W/13A

**H23G: Dual Heat Lamp**

- 220V/500W/13A



Note: Items shown above are subject to change due to market availability

**H23B:** 4 Heat Lamp Bridge Warmer

- 220V/1800W/13A
- 1360W x 700H x 530D mm



**H23C:** Gantry Heat Lamp

- 220V/2500W/13A



**H24A:** Single GN 1/1 Pan Baine Marie

- Counter top warmer
- 220V/1200W/13A
- 338W x 248H x 540D mm



**H25A:** Counter Top Bain-Marie (5 x GN 1/1 Pan – Pan depth 100mm)

- 220V/3500W/16A
- 1750W x 700H x 630D mm

\* Special 16Amp power line required (see bottom left blue power line for reference)



16 Amp Blue C Form

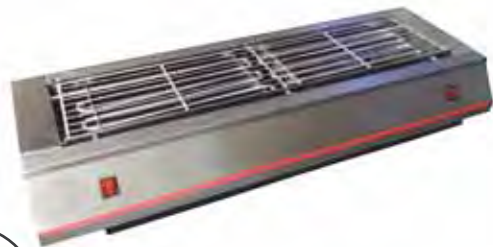


**H26:** Satay Grill

- 220V/4800W/32A
- +20 – +400°C
- 920W x 175H x 330D mm



32 Amp Blue C Form



**H27:** Electric Shawarma Grill

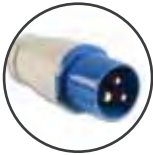
- 3N-380V/9900W/32A
- +20 – +400°C
- 534W x 1015H x 700D mm



Note: Items shown above are subject to change due to market availability

**H28A:** Dual Pizza Oven (2 x 12 Inch)

- 220V/2.85kW/16A
- Temp 400°C
- 584W x 530H x 635D mm



16 Amp Blue C Form

**H28B:**

- (4 x 12 Inch)
- 3N-380V/8.4kW/32A
- Temp 400°C
- 910W x 820H x 750D mm



**H29A:** Counter Top Pasta Cooker  
6 Basket

- 220V/6000W/32A
- 600W x 420H x 600D mm
- Water Out-Let: 1 x 21mm diameter



32 Amp Blue C Form

**H30:** Electric Rice Cooker

- 200-220V/1500W/13A
- +0 - +110°C
- 400W x 330H x 400D mm
- 9 litre capacity



**H31A:** Panini/Sandwich Press

- 220V/3500W/16A
- 450W x 200H x 400D mm

\* Special 16Amp power line required  
(see bottom left blue power line for reference)



16 Amp Blue C Form

**H32:** Electric Rotisserie  
(30 Chicken Capacity)

- Power: 3N 380V/11000W/32A
- 1000W x 1110H x 860D mm
- Weight is 195 KG



Note: Items shown above are subject to change due to market availability

**H32(20):** Chicken Grill & Basket (20 Chicken Capacity)

- Power: 3N 380V/11000W/32A
- 880W x 1250H x 450D mm



**H33:** Counter Top Lava Rock Electric Grill

- 220V/7200W/32A
- 650W x 480H x 620D mm



32 Amp Blue C Form

**H34:** GN 2/1,1/1 Pans Various Size & Depth

- H34A GN 2/1 Trolley
- H34B GN 1/1 Trolley



**H35:** Roll Top Chafing Dish

- 220V/500W/13A
- 630W x 450H x 480D mm



**H36A:** Meat Slicer  
(Blade Diameter 300mm)

- 220V/250W/13A
- 615W x 510H x 525D mm



**H37:** Counter Top Steamer

- 200-220V/1500W/13A
- +0 - +110°C
- 380W x 745H x 400D mm



Note: Items shown above are subject to change due to market availability

**H61:** 10 Litre Soup Kettle

- 220V/400W/13A
- 400 Diameter x 380H mm



**Racking:** 4 Tier Racking

- 1220W x 1600H x 356D mm
- 304 Stainless Steel



**H69:** Jack Stand

- 84 plate capacity



**H41:** Chip Warmer

- 220V/720W/13A
- 800W x 650H x 710D mm



**H34C:** Food Trolley



**H42B:** GN Hot/Cold Box

- 6 x GN 1/1 pan



Note: Items shown above are subject to change due to market availability



**H43A: Blender**

- 220V/500W/13A
- 200W x 345H x 245D mm



**H43B: Hand Blender**

- 220V/500W/13A
- Diameter 70 x 395H mm



**H45: Electric Kettle**

- 220V/2500W/13A
- 135W x 255H x 250D mm



**H46A: Electric Water Boiler 25LTR**

- Capacity 25 litres
- 220V/3000W/16A
- Diameter 320 x 550H mm



**CH: Glassware & Tableware**



**H73: Sous Vide 18Ltr. Water Bath/Lid**

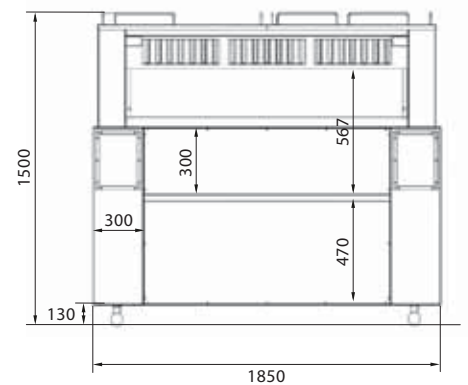
- 220V/1500W/13A



Note: Items shown above are subject to change due to market availability

# Chef-Hub

- Stainless Steel Baffle Filters
- Micron Carbon Filters
- Activated Carbon Filters



The Lowe Chef-Hub is a mobile front of house live cooking station

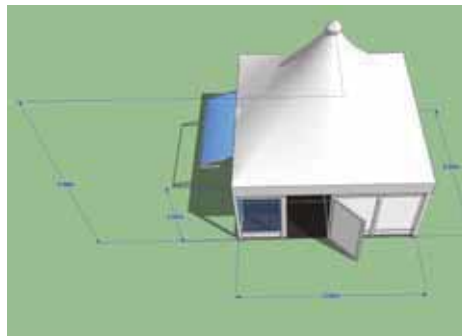
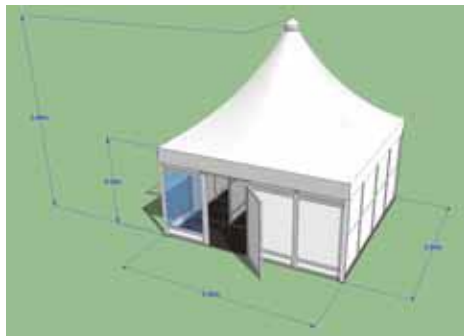
External: (L) 1850mm x (D) 760mm x (H) 1500mm

Internal Shelf: (L) 1250mm x (D) 730mm x (H) 300mm

Power 1: LED Lights, Baffle Filters, Micron Fiber Filters, Activated Carbon Filters, 220V 50Hz, 600 Watts, 13 Amps

Power 2: 380V (3N) 3 Phase 32 Amp – 4 x 220V 16 Amp C Form Connection, 1 x 220V 32 Amp C Form Connection  
(Plug & Play Catering Appliances are quoted separately)

## Lowe Kitchen Tent PVC & VIP



The Lowe Kitchen Tent is a modular tent kitchen that can be assembled/dismantled in hours  
PVC or ABS hard wall panels, Chimney, non-slip cassette flooring & lockable ABS hard panel door  
(L) 5000mm x (D) 5000mm with an eve beam height of 2500mm and a chimney peak of 5400mm  
Internal Lights & Fans – 380V 125A DB & Internal Cabling, full range of catering plug and play equipment available

## Contact

### HEAD OFFICE

UNIT J  
KNOCKMORE INDUSTRIAL ESTATE  
MOIRA ROAD  
LISBURN  
NORTHERN IRELAND  
BT28 2EJ  
**+44 (0) 28 9260 4619**

### ENGLAND

LOWE RENTAL LTD.  
UNIT 37  
MARCHINGTON INDUSTRIAL ESTATE  
UTTOXETER, STAFFORDSHIRE  
ENGLAND ST14 8LP  
**+44 (0) 1283 820 717**

### SCOTLAND

LOWE RENTAL LTD.  
UNIT 1B EXCELSIOR PARK  
CANYON ROAD  
NETHERTON INDUSTRIAL ESTATE  
WISHAW  
SCOTLAND ML2 0EG  
**+44 (0) 16983 72902**

### DUBAI

LOWE REFRIGERATION LLC  
DIP 1, FIRST GULF PROPERTIES  
WAREHOUSE COMPLEX  
WAREHOUSE WO-01  
PO BOX 392327  
DUBAI, UAE  
**+971 4 882 9440**

### USA

LOWE REFRIGERATION INC.  
105 CECIL COURT  
FAYETTEVILLE  
ATLANTA, GEORGIA  
USA 30214  
**+1 770 461 9001**

LOWE REFRIGERATION INC.  
2711 EAST CRAIG ROAD, SUITE F  
NORTH LAS VEGAS  
NEVADA  
USA 89030  
**+1 770 461 9001**

### SINGAPORE

LOWE RENTAL PTE. LTD.  
7 KAKI BUKIT CRESCENT  
FULLION BUILDING #01-01  
SINGAPORE 416239  
**+65 6284 1552**

### HONG KONG

LOWE RENTAL LTD.  
ROOM 11, 14 FLOOR  
WAH WAI CENTRE  
38-40 AU PUI WAN STREET  
FO TAN, NEW TERRITORIES  
HONG KONG  
**+ 852 2659 5300**

### CHINA

COLD-LINKS REFRIGERATION RENTAL  
SPECIALISTS PRC  
BUILDING F 3Q, BUND SOHO, NO. 88  
SECOND EAST ZHONGSHAN ROAD  
HUANGPU DISTRICT, SHANGHAI  
P.R.CHINA, 200002  
**+86 21 5569 6609**

### GERMANY

LOWE DEUTSCHLAND GMBH.  
HOHLSTUCK 4  
56368 KLINGELBACH  
GERMANY  
**+49 (0) 6486 9039 680**

### ITALY

LOWE ITALIA SRL.  
MILANO  
ITALY  
**+39 023 6000 121**

### SPAIN

LOWE RENTAL LTD.  
BARCELONA  
SPAIN  
**+34 9 3800 1963**

### FRANCE

LOWE RENTAL LTD.  
PARIS  
FRANCE  
**+33 1 7676 9751**

